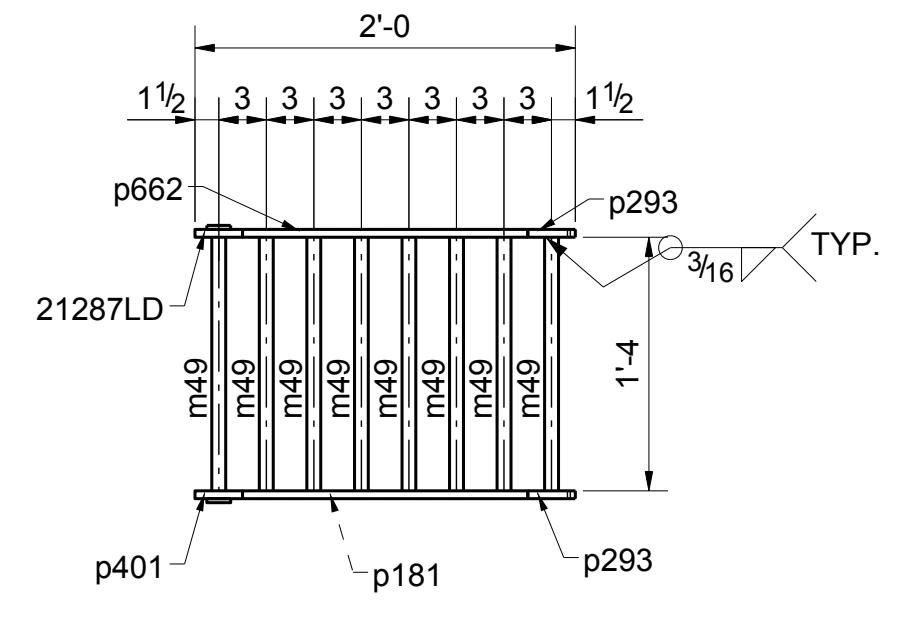
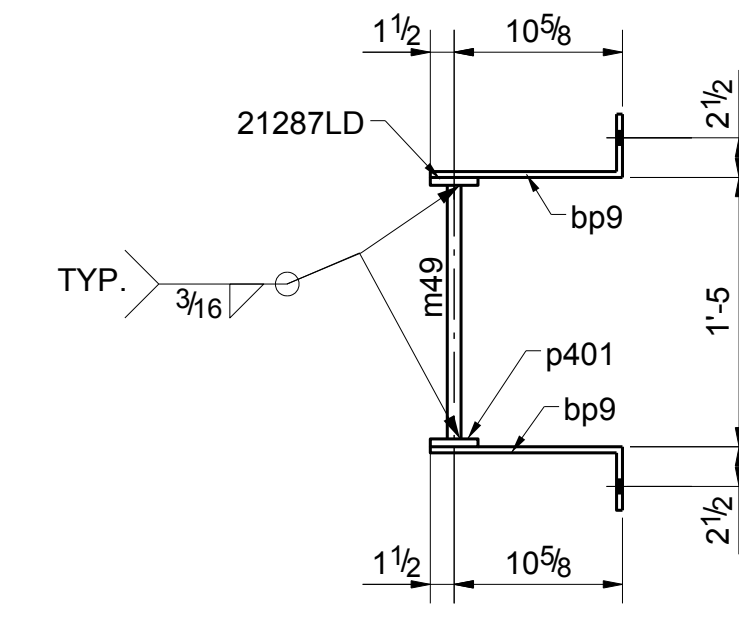
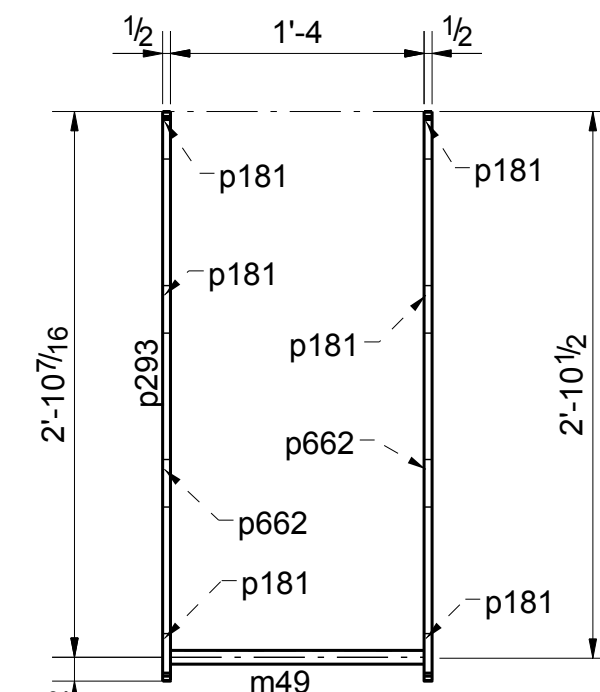
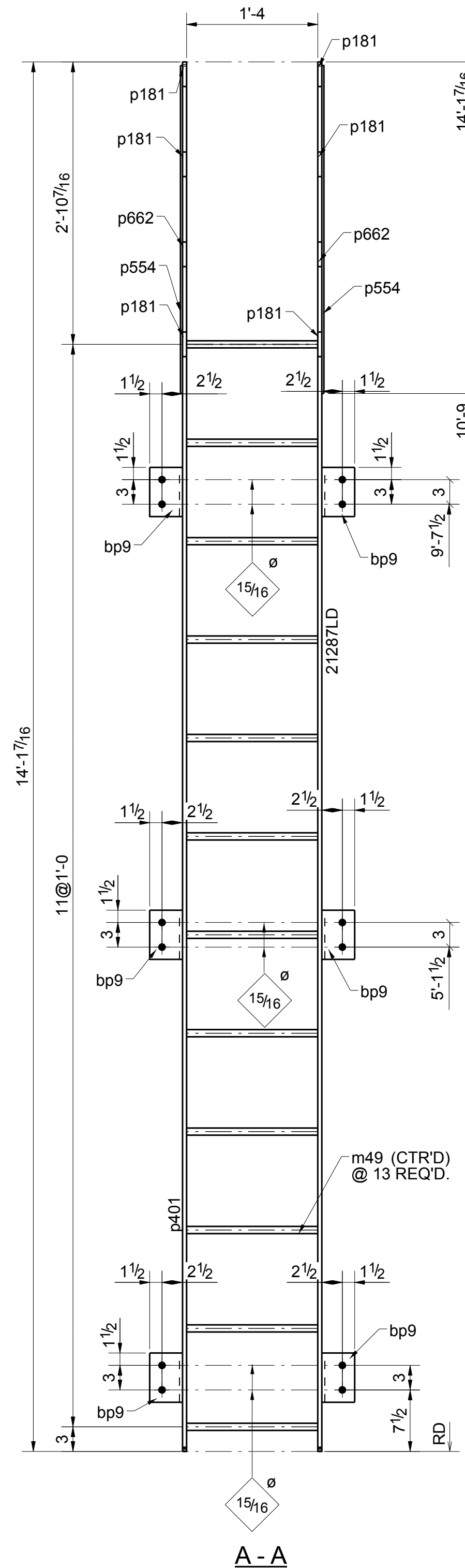
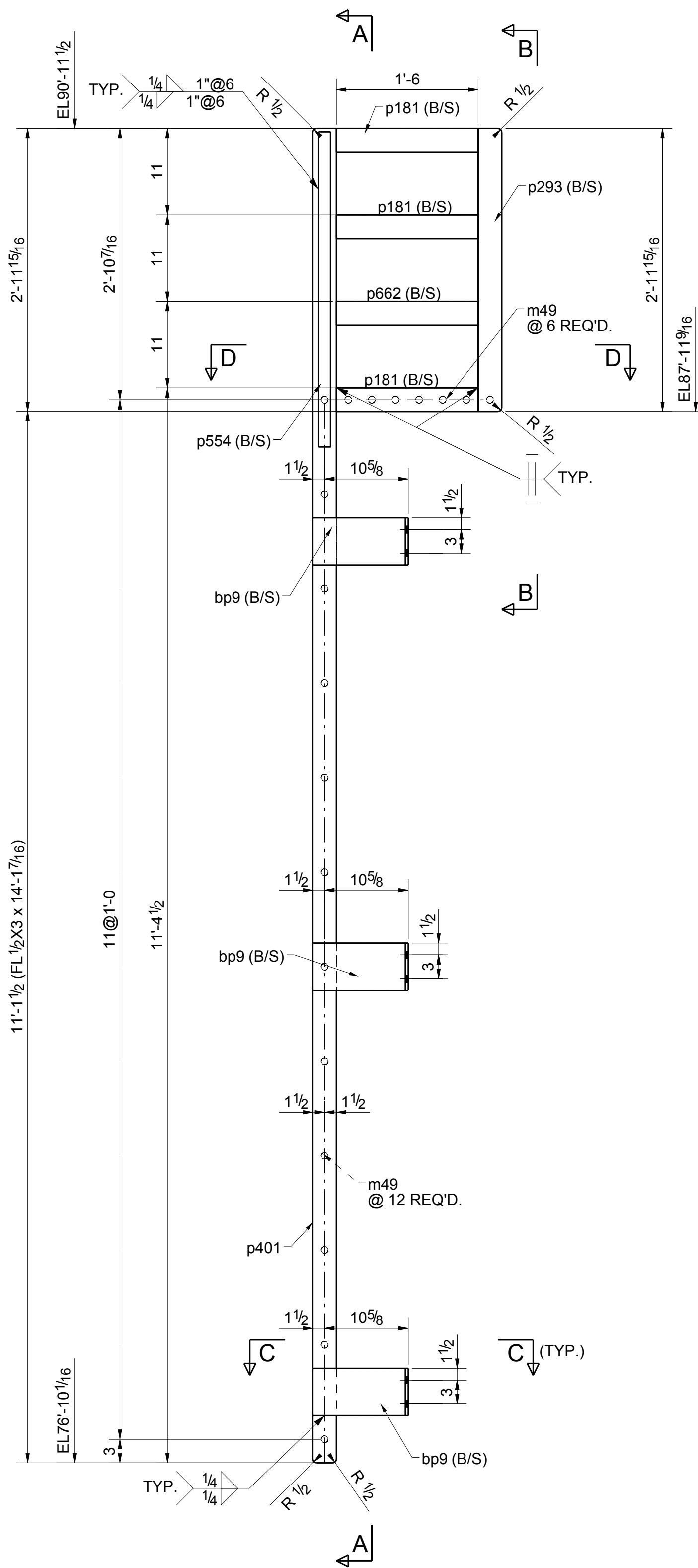


BILL OF MATERIAL

Total weight : 354

Seq #s	Seq Qty	Qty Total	Piece Mark	Description	Length	Steel Grade	Remarks	Advance Mill #
21M	1	1	21287LD	FL1/2"X3"	14'-1 7/16"	A36		
		6	bp9	FL3/8"X6"	1'-3 3/8"	A36	BENT	
		19	m49	ROD7/8"	1'-4"	A36	SLIPNOT COATING	
		6	p181	FL1/2"X3"	1'-6"	A36		
		2	p293	FL1/2"X3"	2'-11 15/16"	A36		
		1	p401	FL1/2"X3"	14'-1 7/16"	A36		
		2	p554	FL1/4"X1 1/2"	3'-4"	A36		
		2	p662	FL1/2"X3"	1'-6"	A36		
				Shop Bolts				



A - A
ONE - LADDER - 21287LD
GALVANIZED

Shop Notes:

- Holes (UNO): 13/16Ø
- Connection Type (UNO): SNUG TIGHT
- Bolts (UNO): 3/4Ø A325N
- Shop Primer (UNO): GALV
- Surface Preparation (UNO): XXX
- Tolerance (UNO): 1/16"

REF ERECTION : ME21010

			Project	SAGANING EAGLES LANDING CASINO			
			Location	2690 WORTH ROAD STANDISH, MI 48658			
			Architect	JCJ ARCHITECTURE			
			Purchaser	SPENCE BROTHERS			
			Title	LADDER DETAIL			
REV	DATE #	BY	REVISION	Drawn By	Chkd By	Job No.	Sheet No.
0	04/23/2018	PR	For Fabrication	NHA	NR	17-1-164	21287
A	01/03/2018	PR	For Approval	01/03/2018	04/23/2018		

