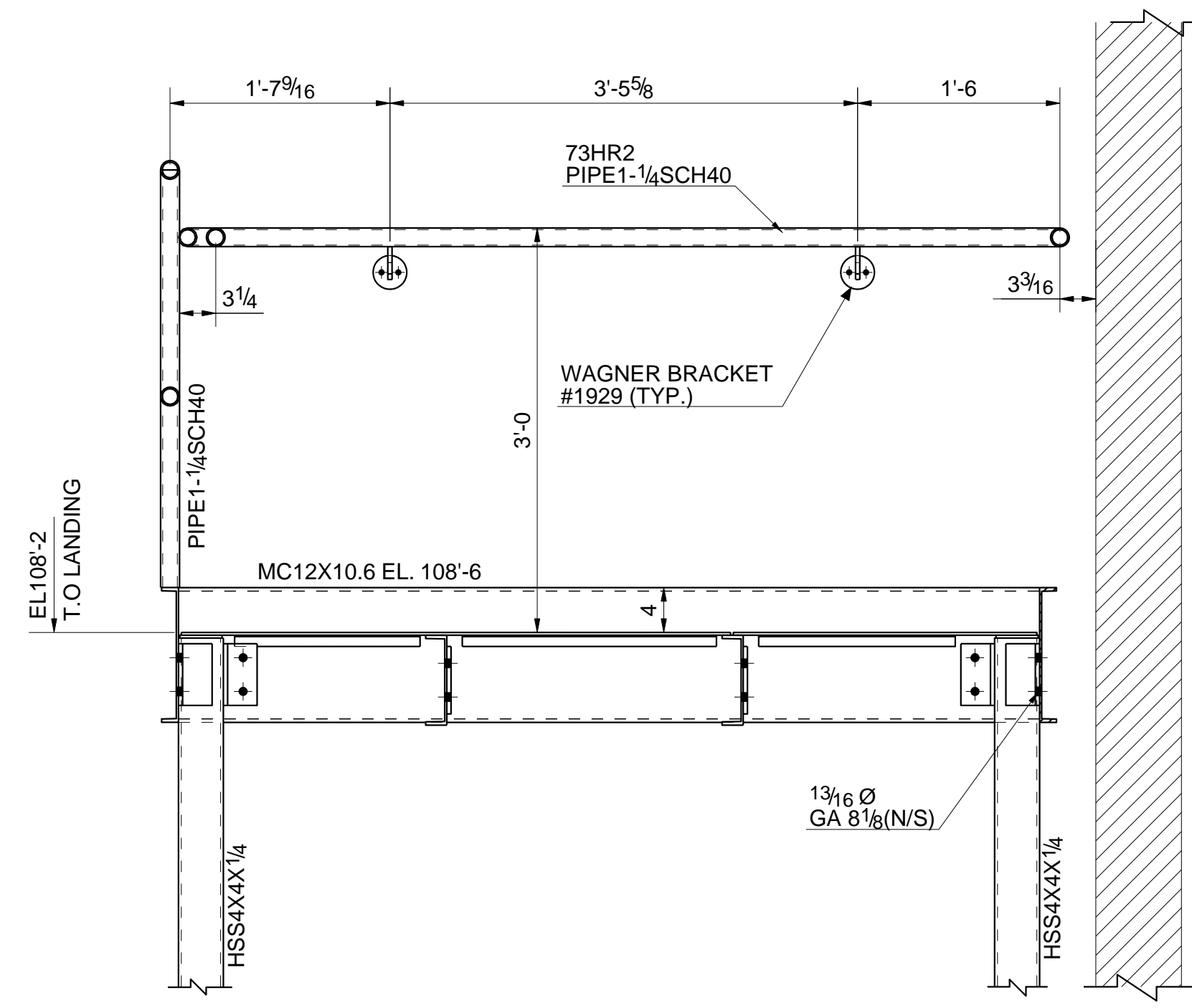
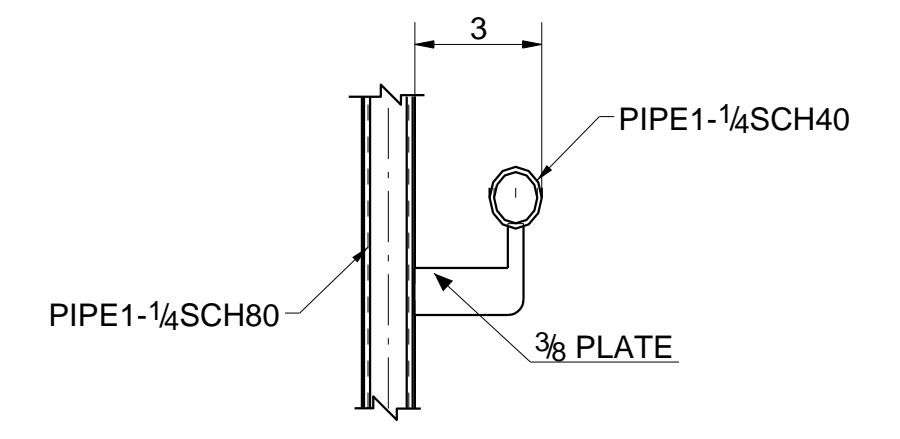


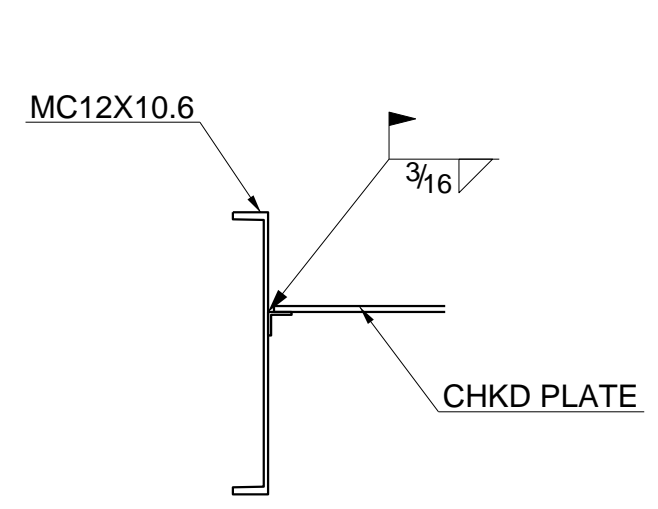
6 SECTION  
M400



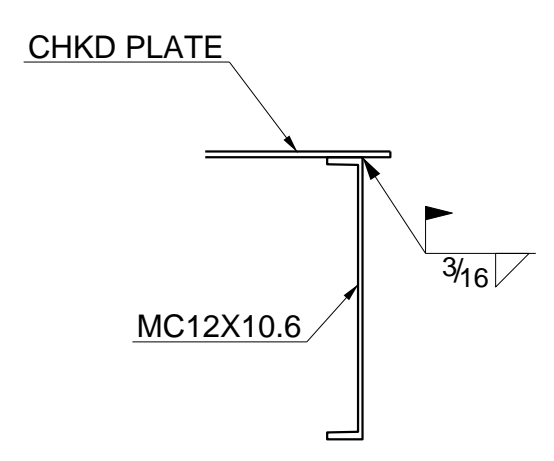
7 SECTION  
M400



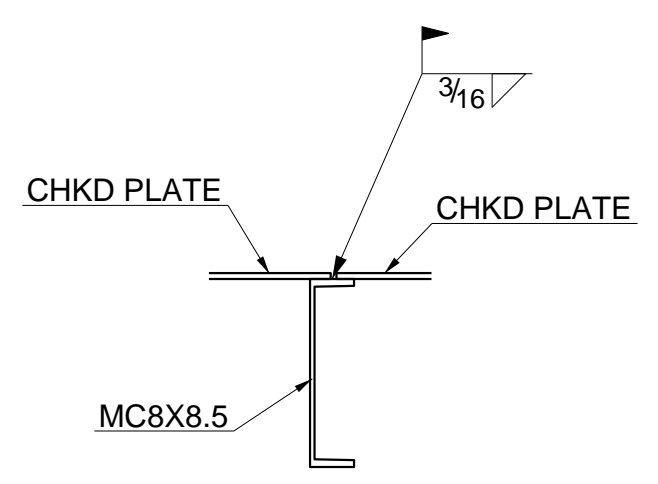
8 SECTION  
M401



9 SECTION  
M400



10 SECTION  
M400



11 SECTION  
M400

APPROVAL
SHOP
FIELD
REF. DWG. 1A1.10A

JOB ORDER NO.
DRAWING NO. M404
REV. 1



REVISIONS	DATE	DESCRIPTION
△		
1	12/09/2013	FOR FIELD USE
A	10/08/2013	Revised And Resubmit For Approval

HOLES	PREP
EDGE DISTANCE	PAINT
WELD ROD	DFT
STEEL	NO PAINT WITHIN OF HOLES
DRAWN BY N.A.	DATE 07/10/2013
CHECKED BY S.B.	DATE 12/09/2013

STAIR #4

ARCHITECT  
EOP  
ENGINEER  
MASON & HANGER  
CONTRACTOR  
D.W. WILBURN