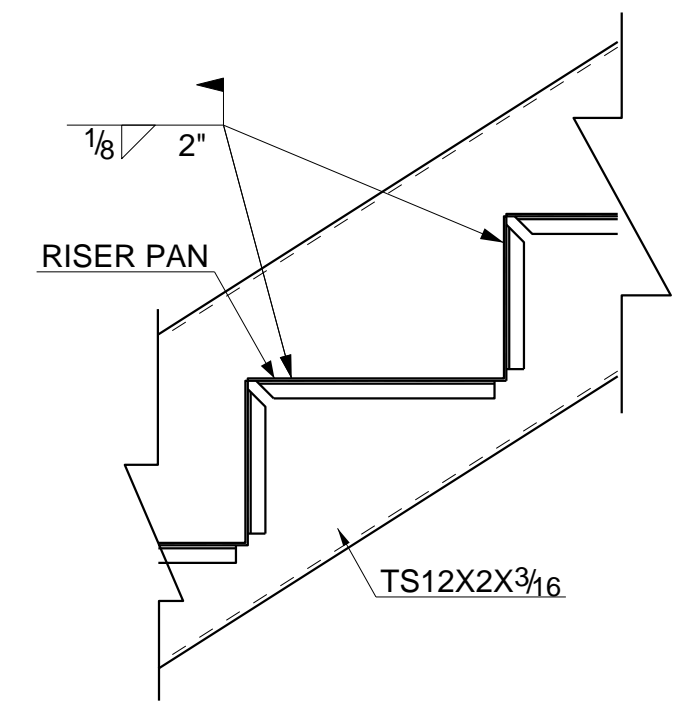
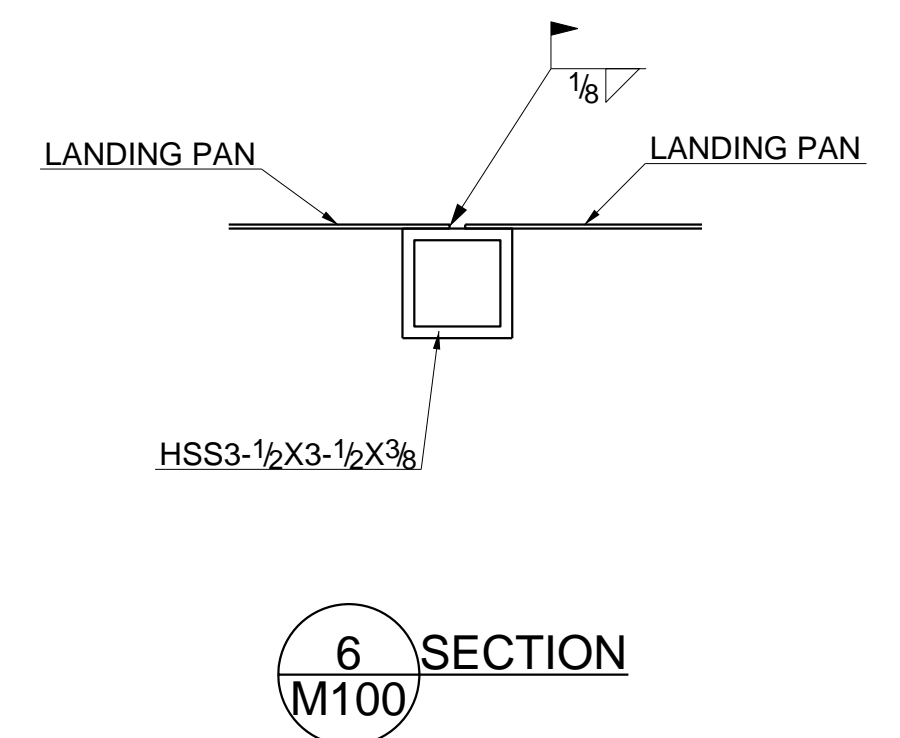
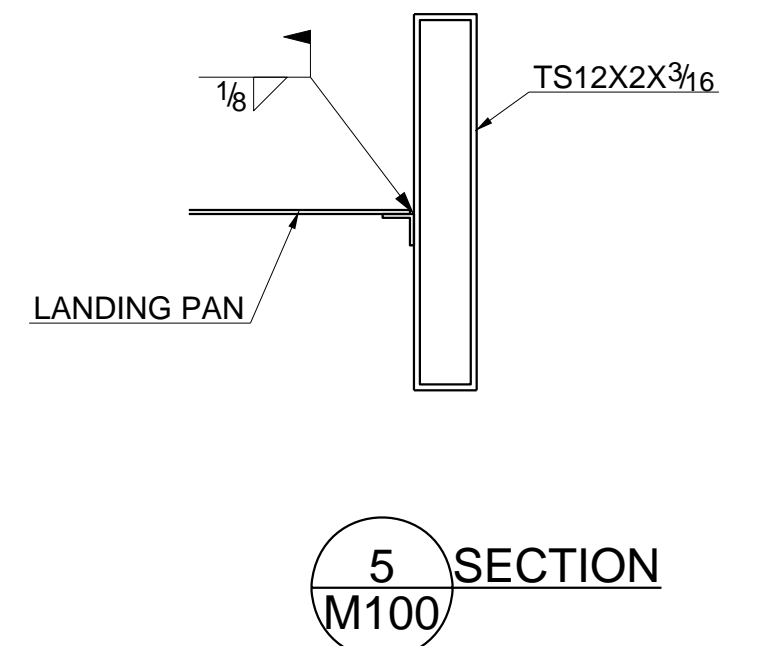
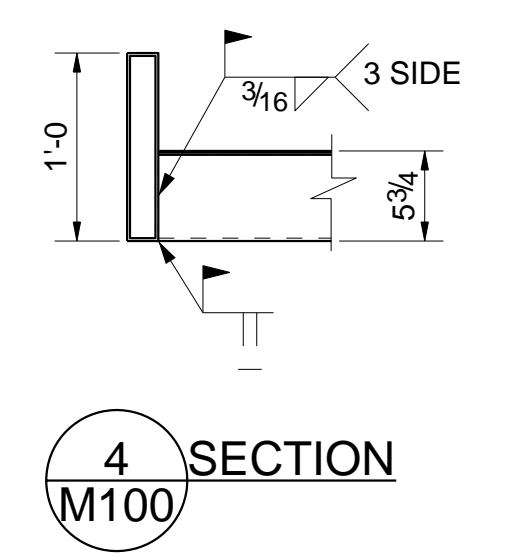
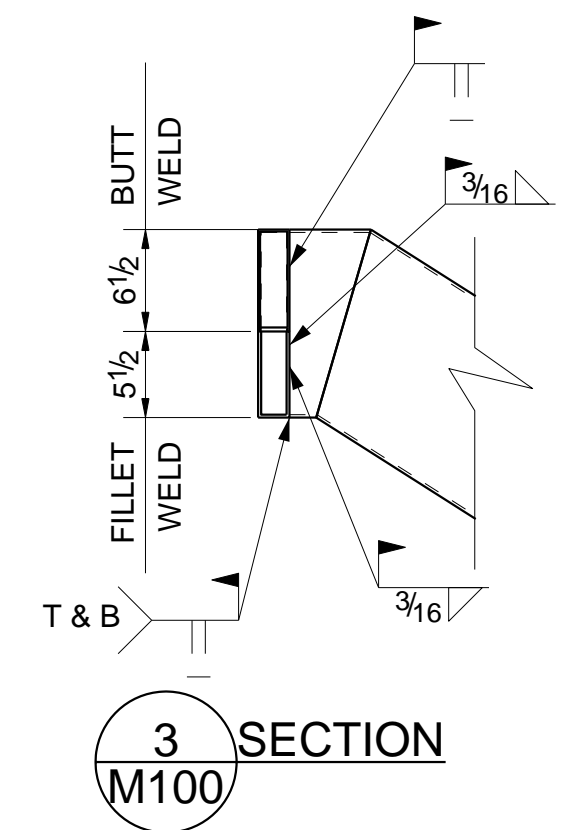


1 SECTION
M100



APPROVAL
SHOP
FIELD
REF. DWG. 1A5.01

JOB ORDER NO.
DRAWING NO. M101
REV. 1



REVISIONS
FOR FIELD USE 12/09/2013
Revised And Resubmit For Approval 10/08/2013

HOLES
PREP
PAINT
DFT
NO PAINT WITHIN OF HOLES
WELD ROD
STEEL
DATE 12/09/2013

DRAWN BY N.A.
DATE 07/08/2013
CHECKED BY S.B.
DATE 12/09/2013

STAIR #1

ARCHITECT EOP
ENGINEER MASON & HANGER
CONTRACTOR D.W.WILBURN