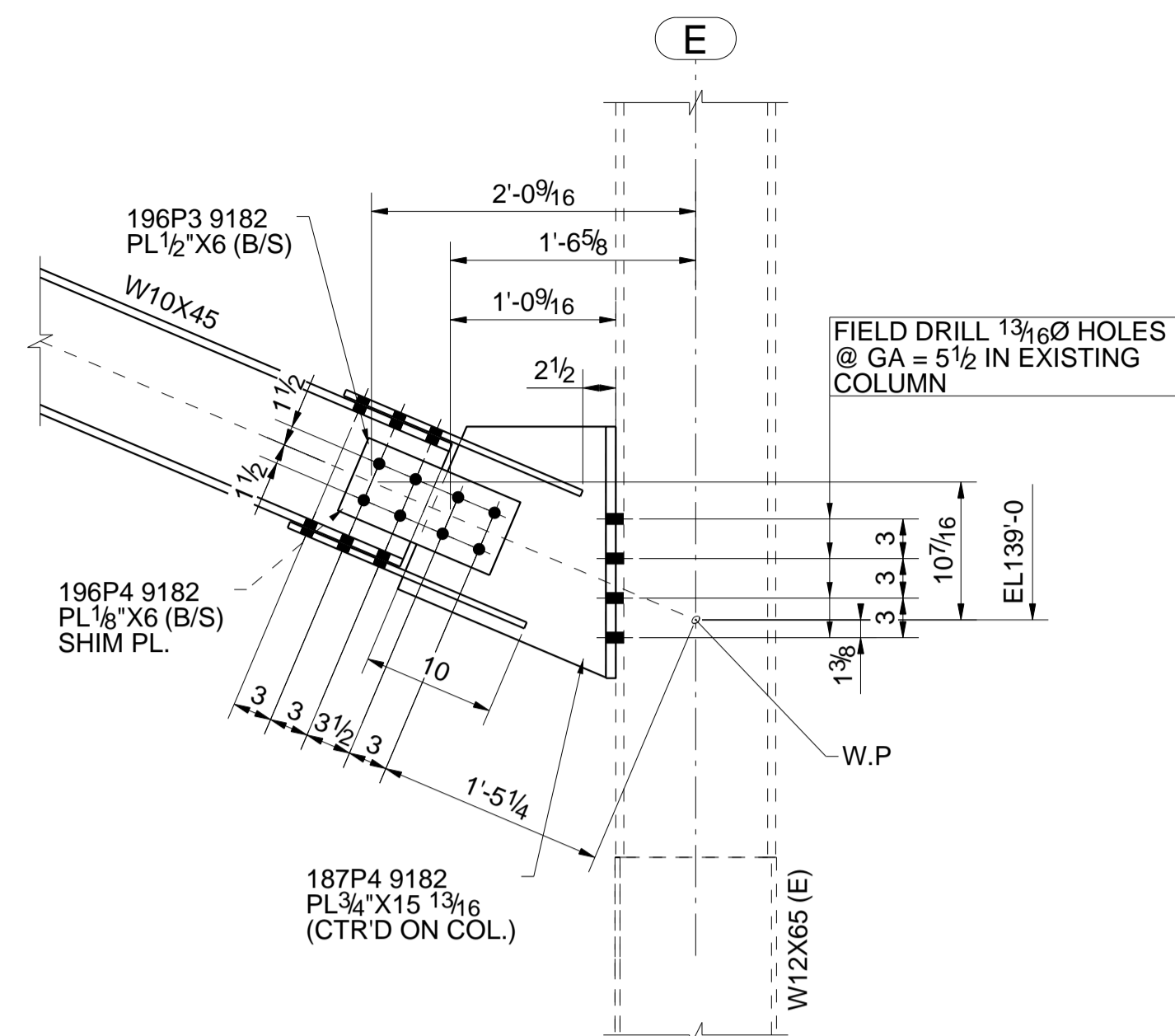
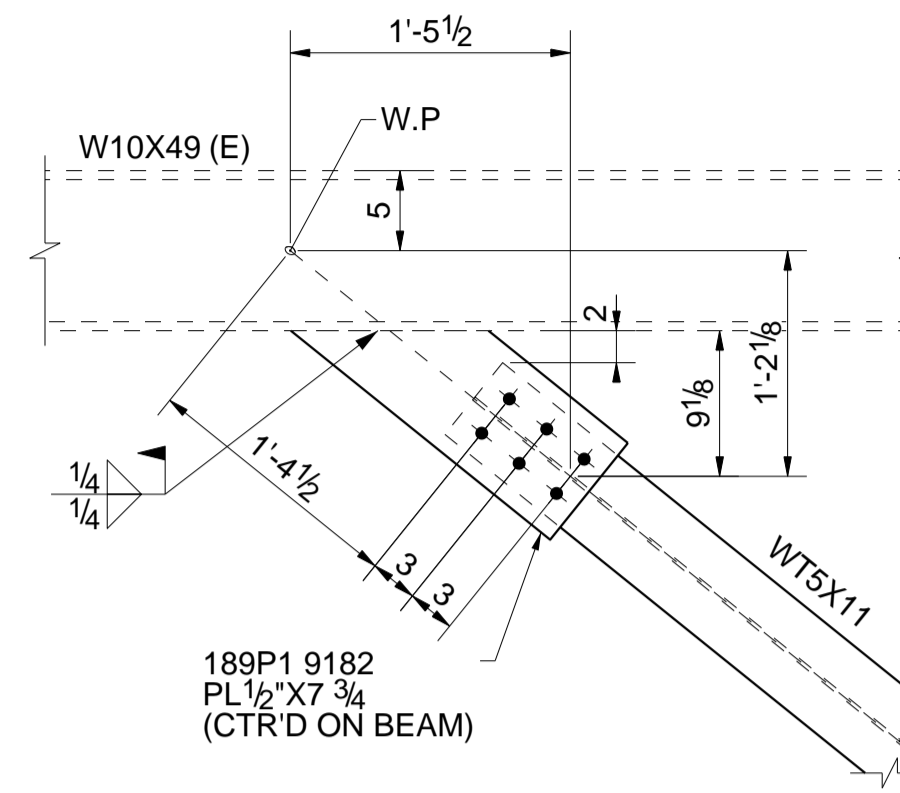


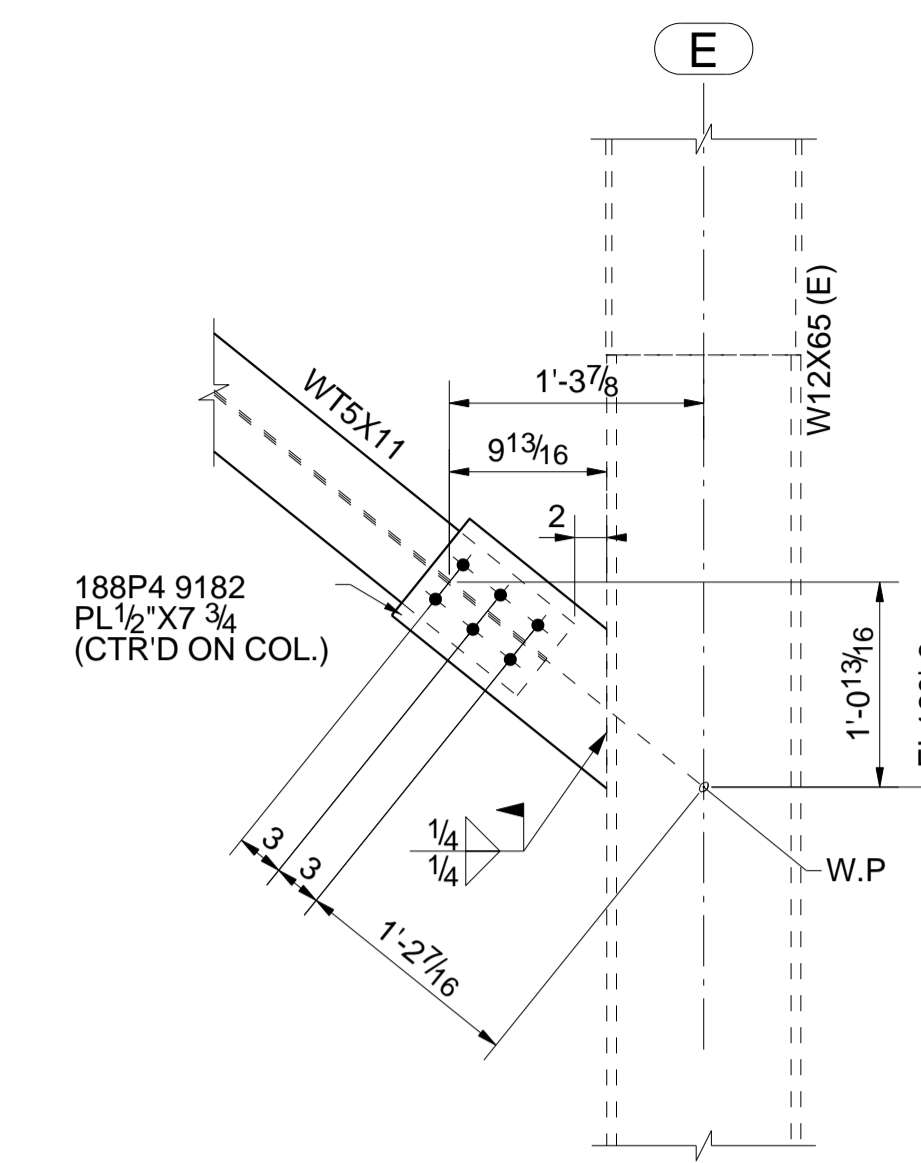
DETAIL 270
E22



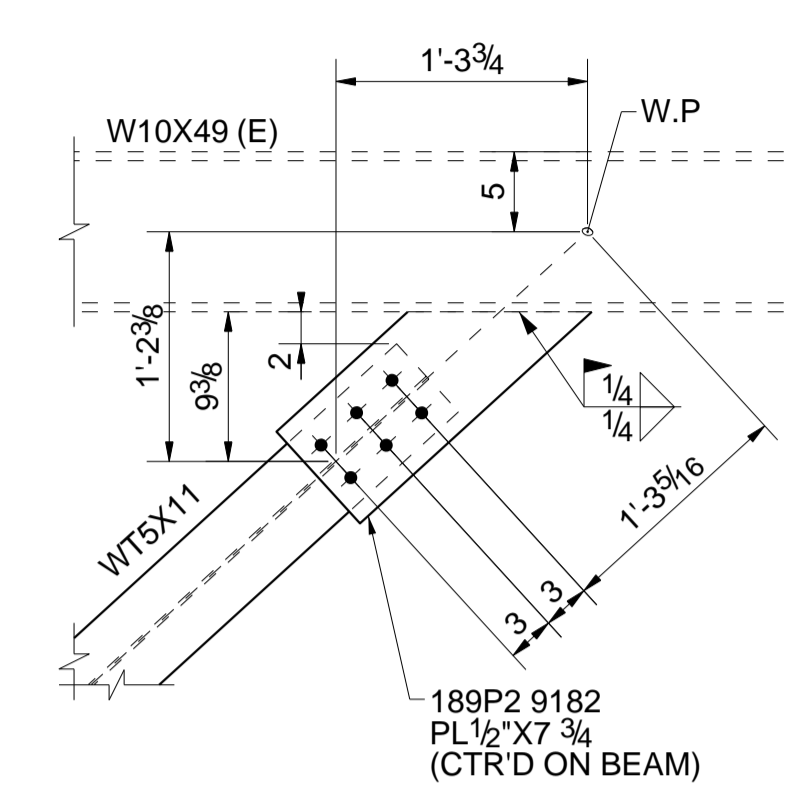
DETAIL 271
E22



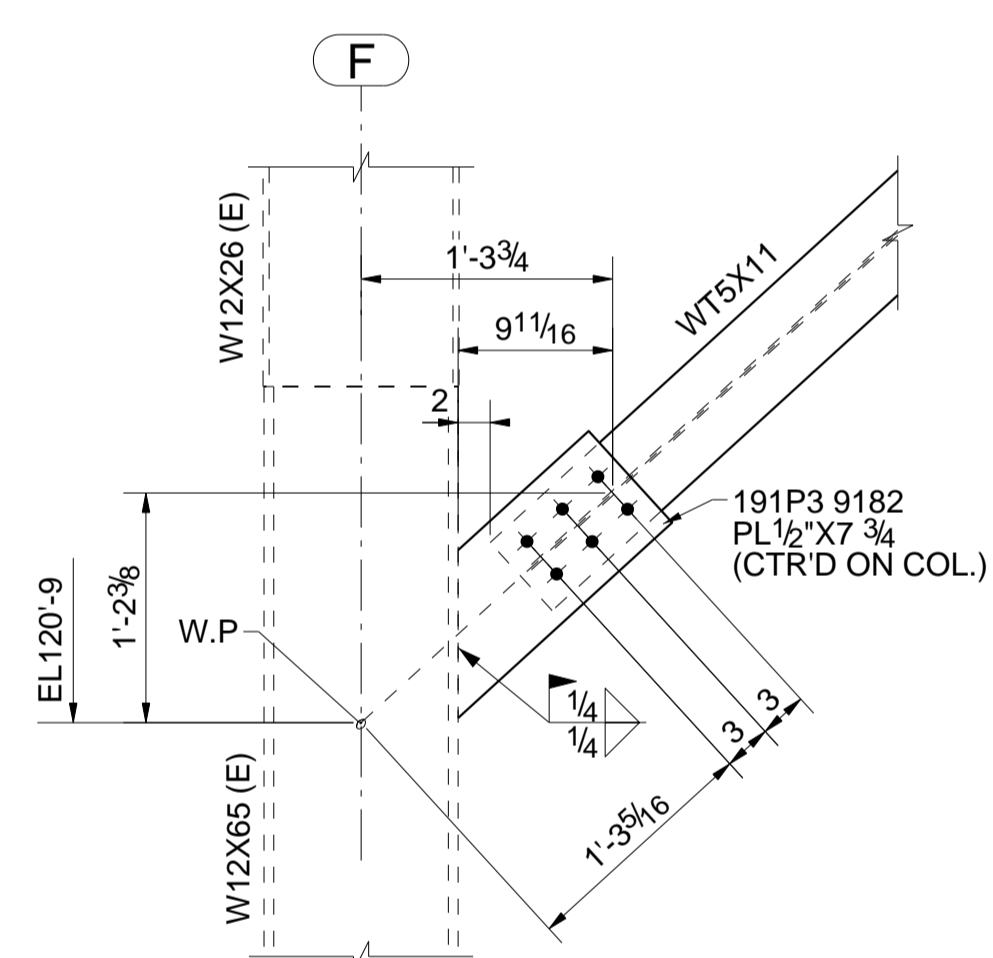
DETAIL 272
E22



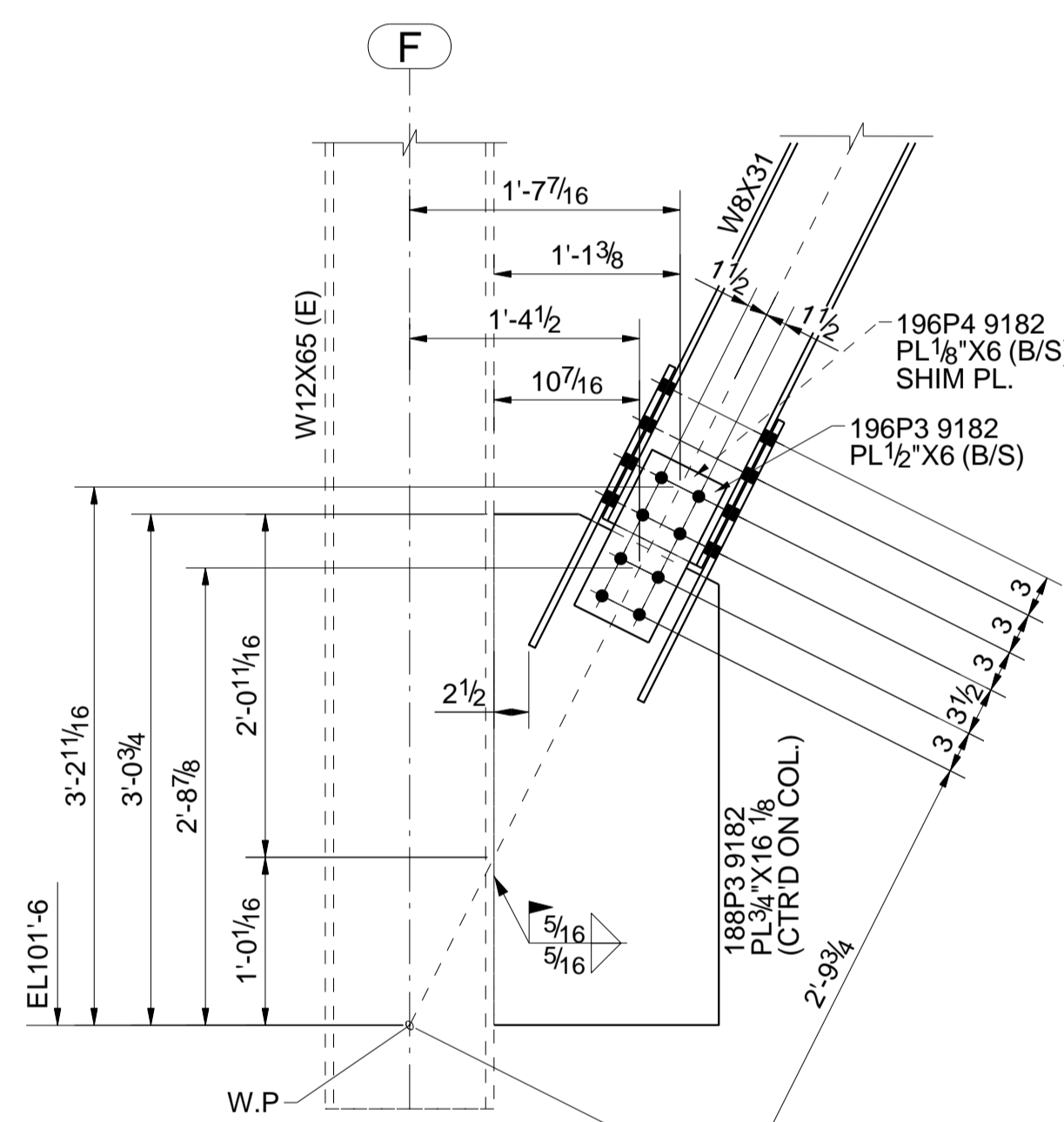
DETAIL 273
E22



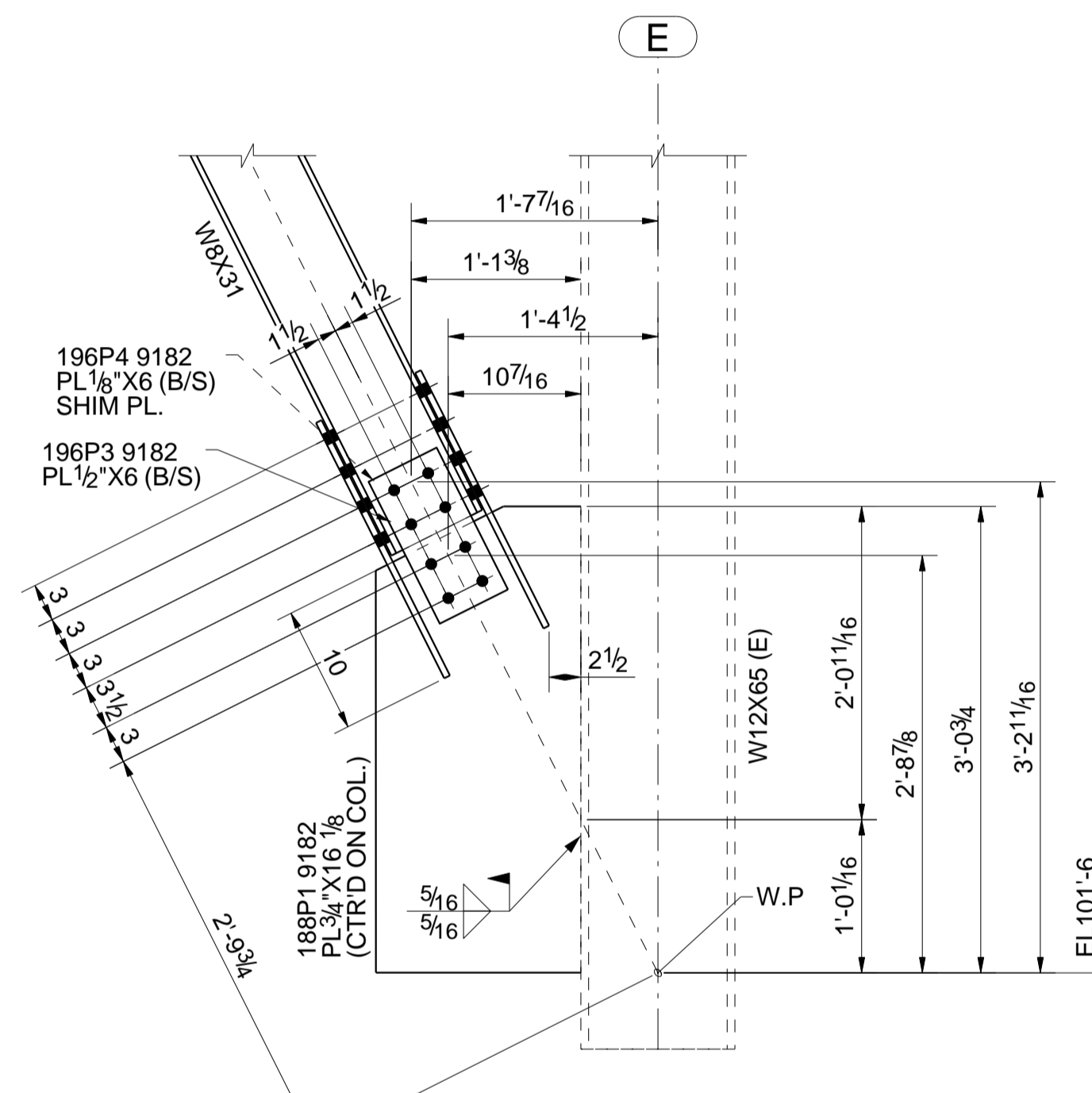
DETAIL 274
E22



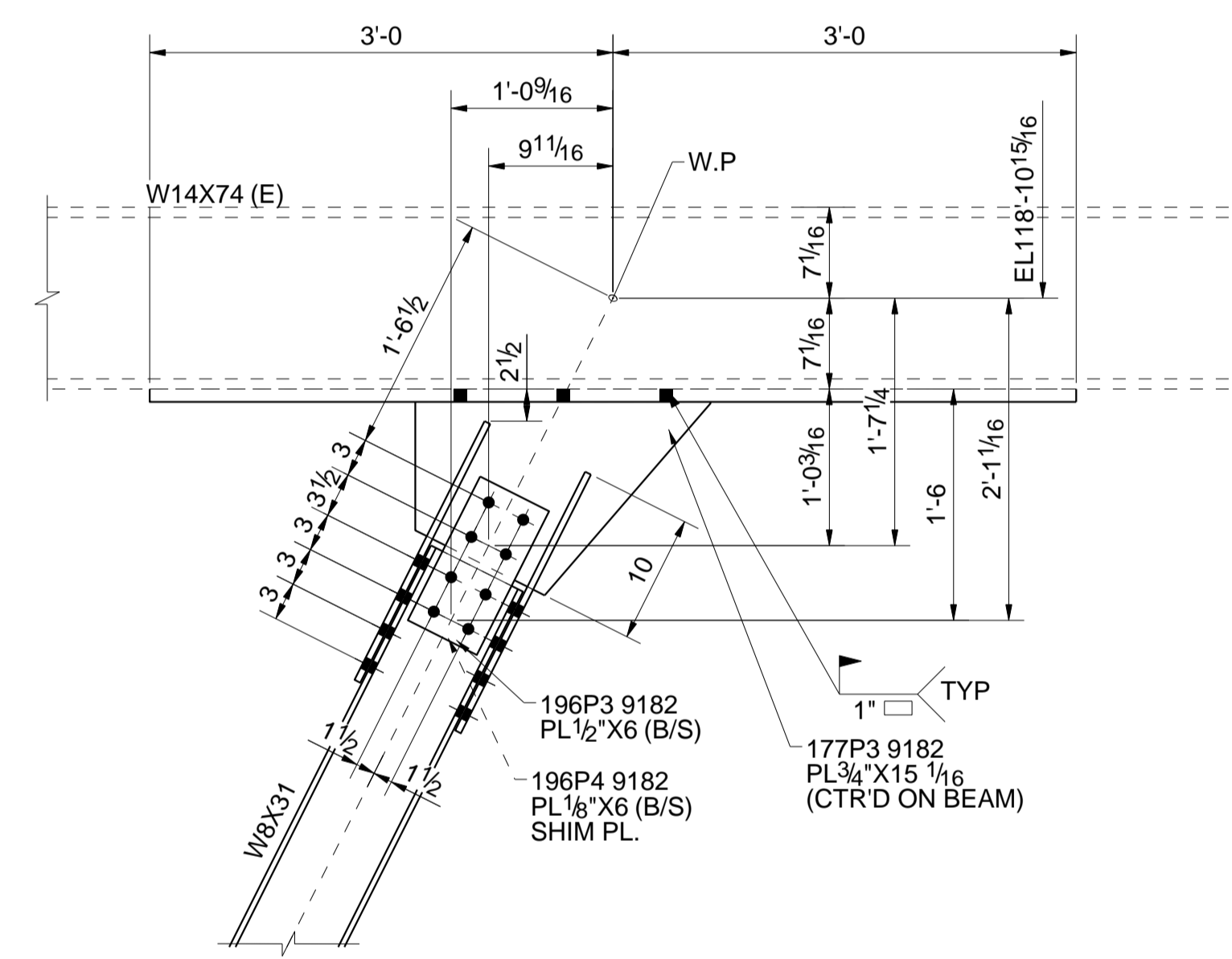
DETAIL 275
E22



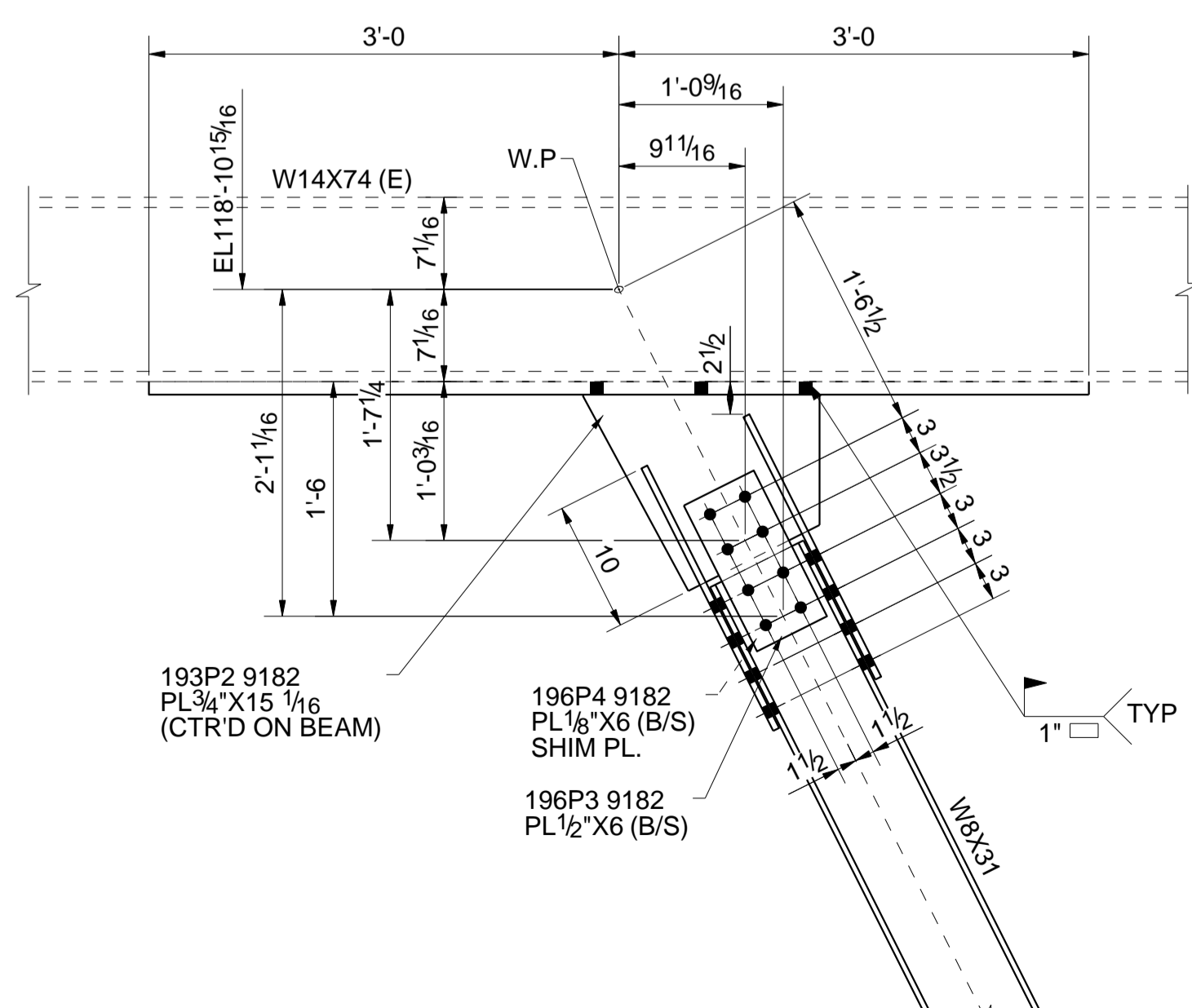
DETAIL 276
E22



DETAIL 277
E22



DETAIL 278
E22



DETAIL 279
E22

CB&I - WILLIAMS															
SUPPLIER DRAWING DECAL		Geismar Plant Expansion													
PROJECT NO. 9182		P.O. NO. 180024-PO-1000-001													
# 1	NO COMMENTS	SERIAL NO.													
# 2	REVIEWED WITH MINOR COMMENTS	TAG NO.													
# 3	COMMENTS	FREEZE DATE													
# 4	REJECTED	SDR CODE: J01-G81													
# 5	SUPERSEDED														
# 6	VOID														
# 7	FOR INFORMATION														
THESE COMMENTS DO NOT RELIEVE THE SUPPLIER OF HIS RESPONSIBILITY TO MEET THE REQUIREMENTS OF THE PO.															
BY:		DATE:													
<table border="1"> <tr> <td>0</td> <td>For Field Use</td> <td>03/27/13</td> <td></td> </tr> <tr> <td>A</td> <td>For Approval</td> <td>03/01/13</td> <td></td> </tr> <tr> <td>REV.</td> <td>REVISION DESCRIPTION</td> <td>DATE</td> <td>CHK</td> </tr> </table>				0	For Field Use	03/27/13		A	For Approval	03/01/13		REV.	REVISION DESCRIPTION	DATE	CHK
0	For Field Use	03/27/13													
A	For Approval	03/01/13													
REV.	REVISION DESCRIPTION	DATE	CHK												
CUSTOMER REFERENCE SHEET NO		NOTICE TO CONTRACTOR & ERECTOR: BACK CHARGES FOR CORRECTIVE WORK OR REPLACEMENT MATERIALS WILL NOT BE ACCEPTED UNLESS AUTHORIZED BY ORION INDUSTRIES BEFORE SUCH COSTS ARE INCURRED.													
SCALE: NONE															
CUSTOMER:		PROJECT:													
DETAIL FOR: DETAIL		P.O. No. 180024-PO-1000-001													
DRAWN BY:		JOB No.													
CHECKED BY:		SHEET No. E72													