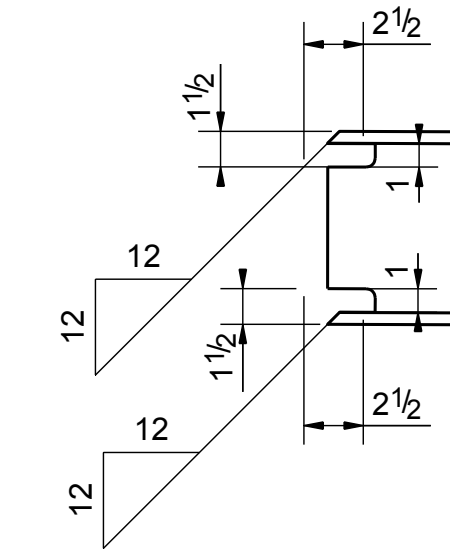
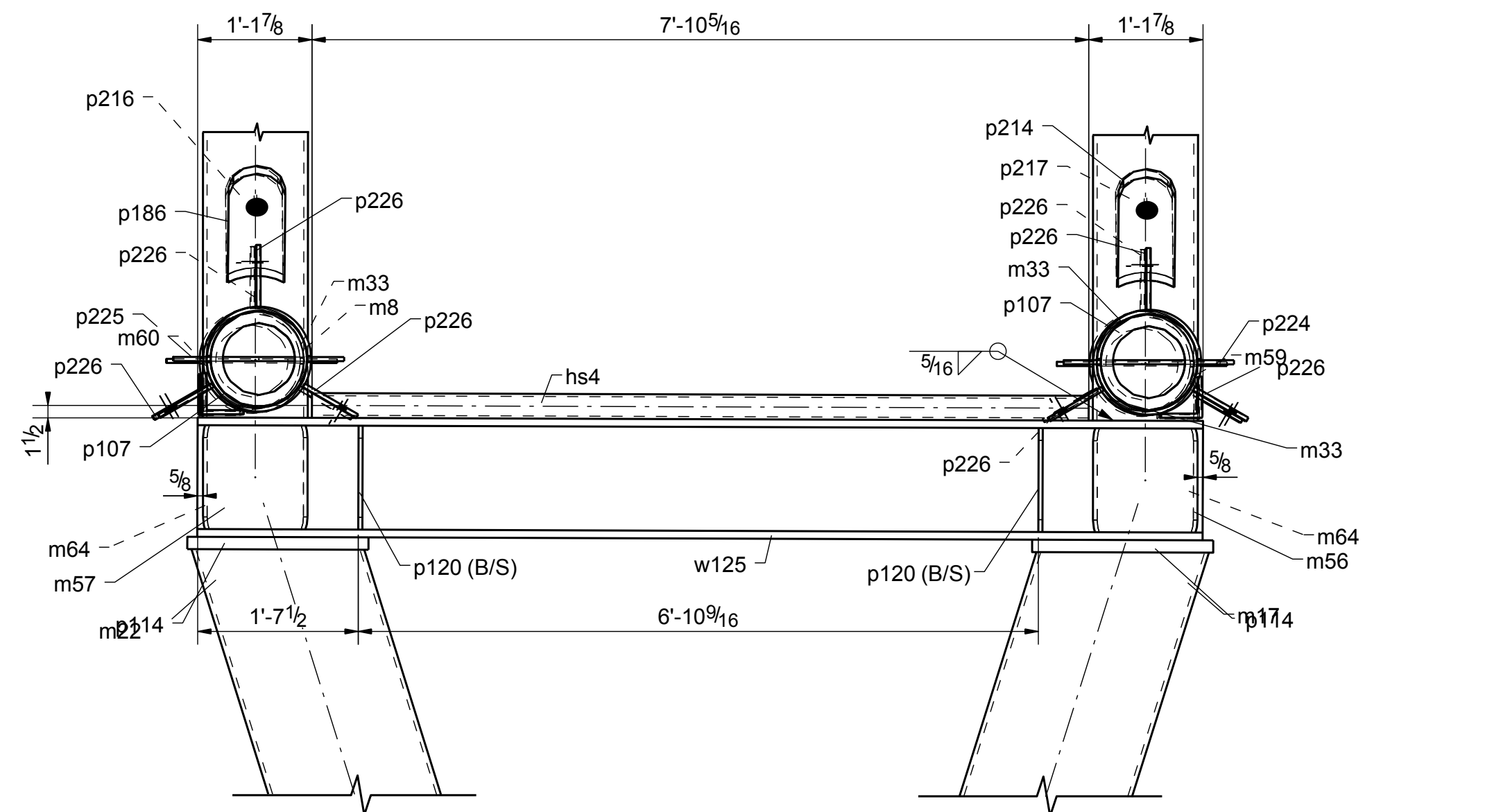


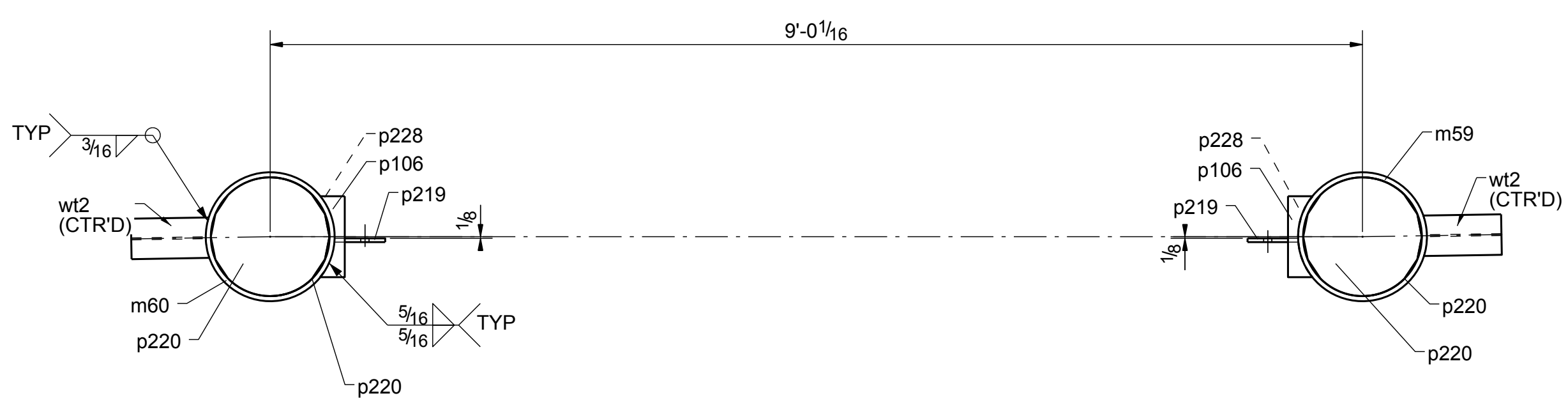
DETAIL 3



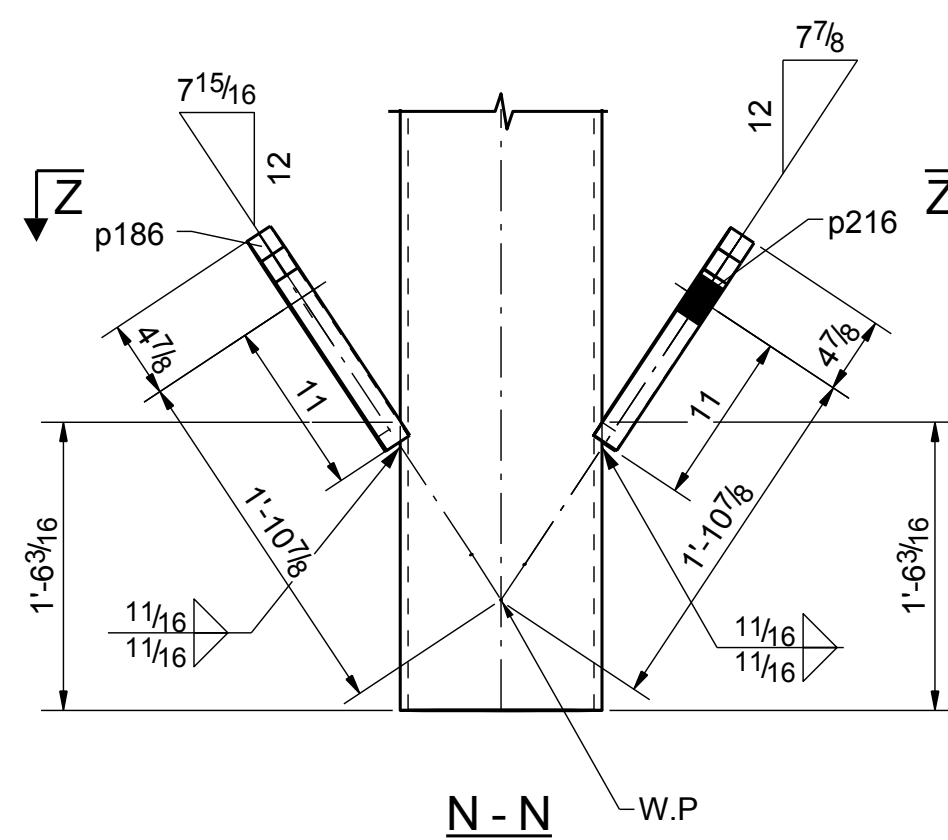
DETAIL 4



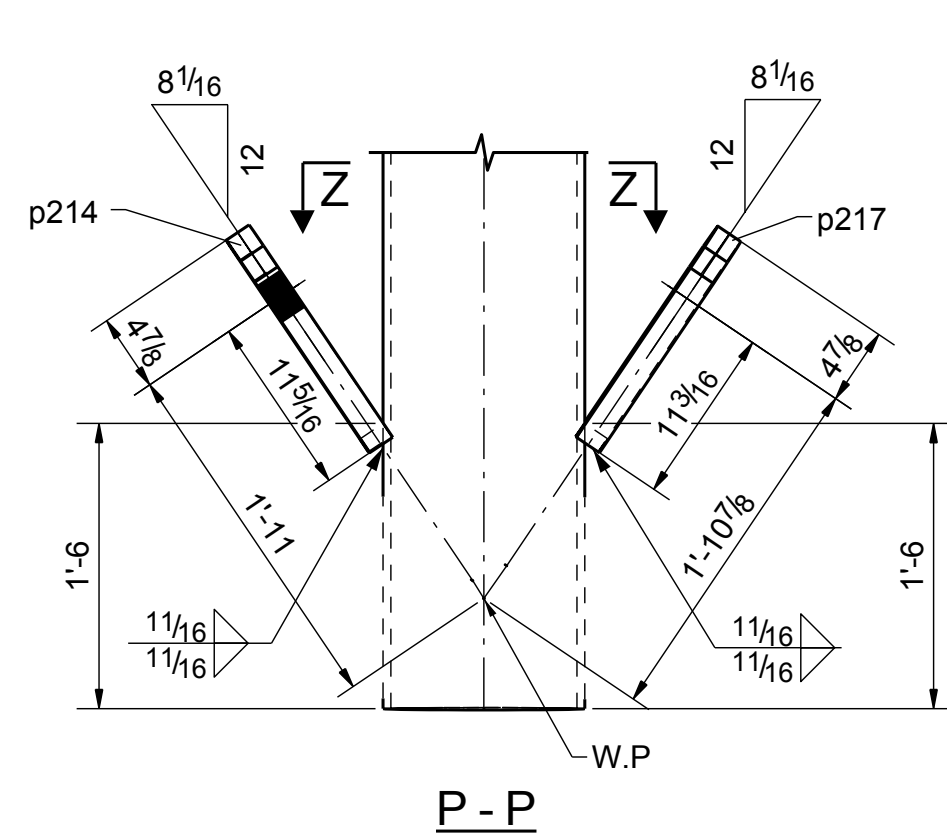
DETAIL 2



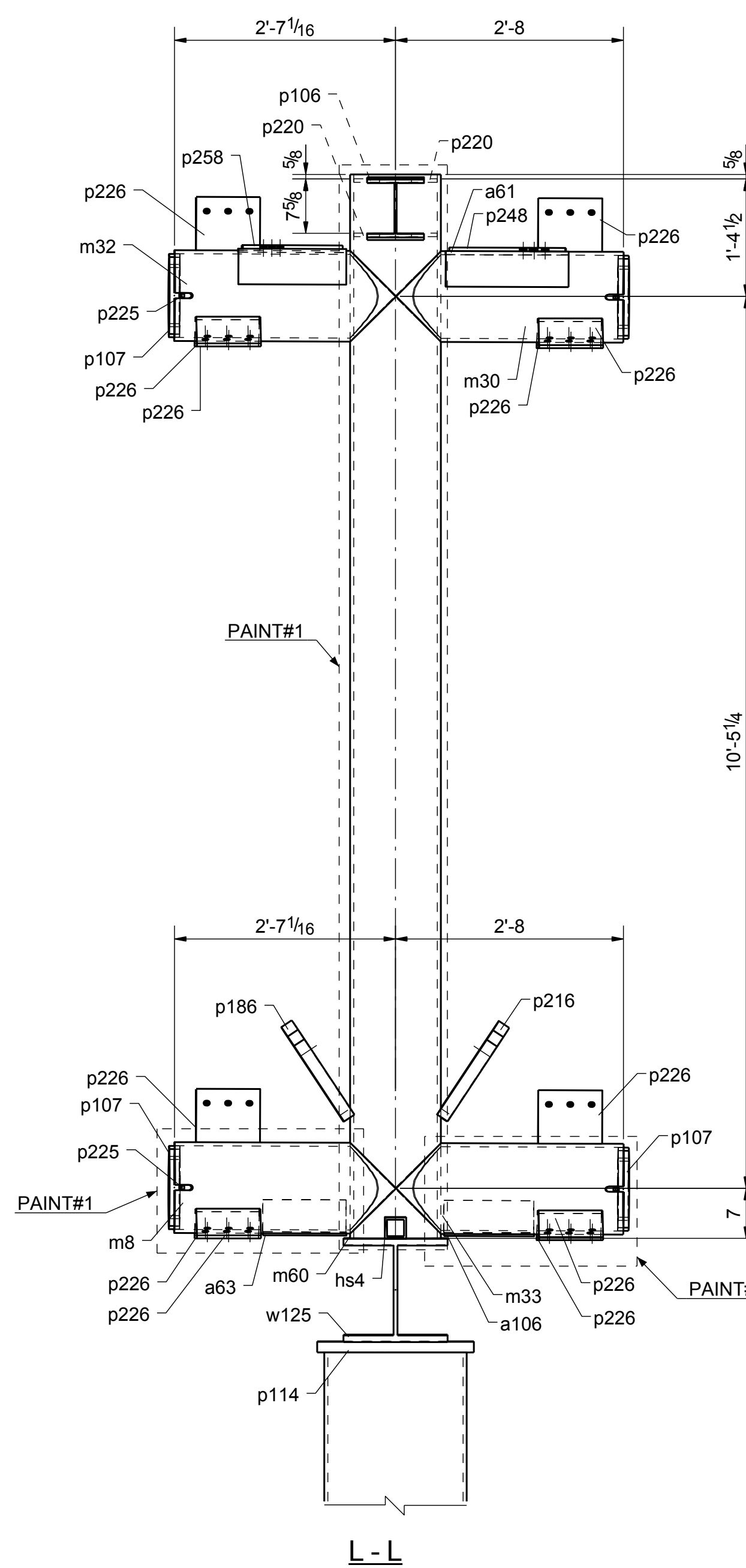
K - K



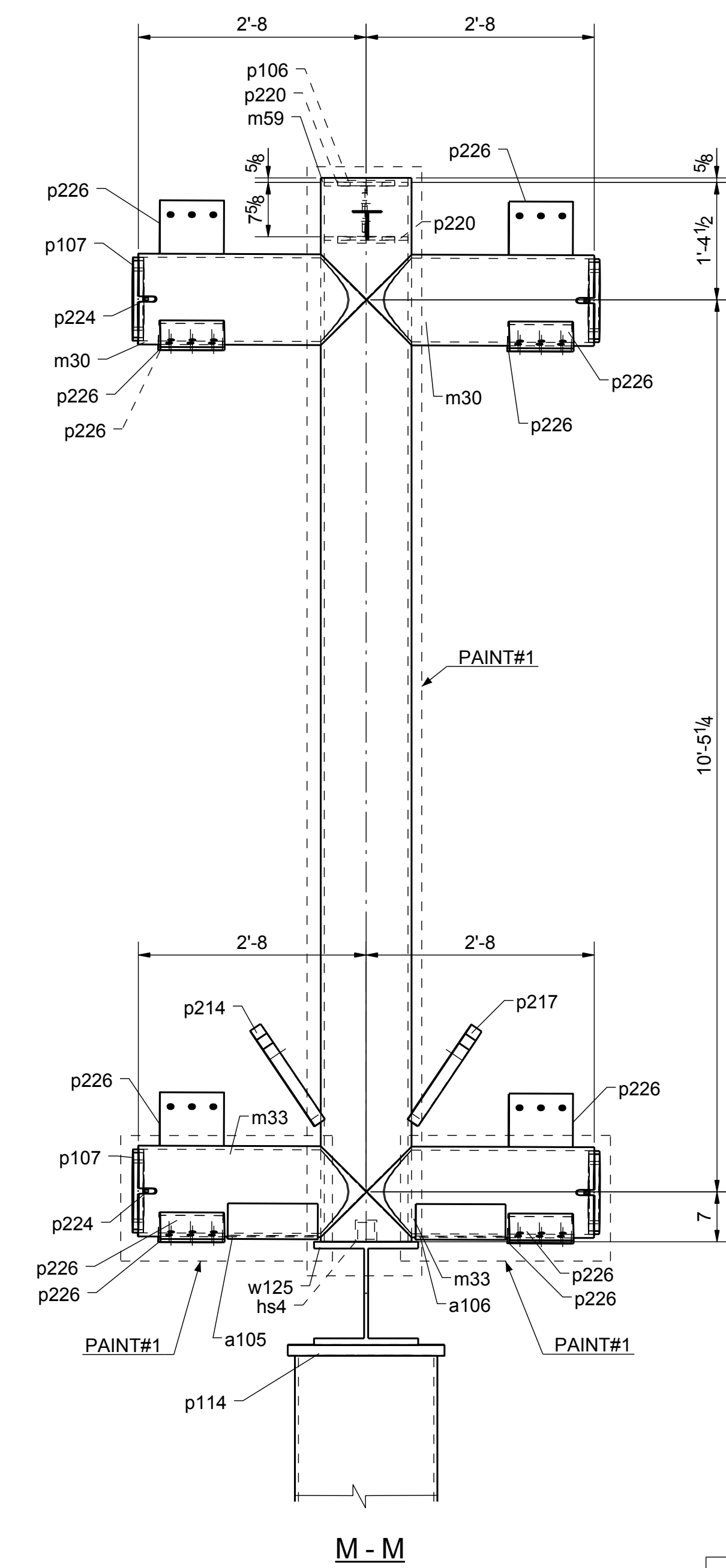
N - N



P - P



L - L



M - M

ONE - FRAME - 301FR1

W 8 1/8" x 5/16"
 F 8" x 1/2"
 K 0'-1 3/16"

PAINT#1 NOTE:
 REFER TO SHEET
 301 FOR PAINT NOTES.

WORK THIS DRAWING
 WITH 301 & 301A

NO.PTS.	DATE	USE	NO.PTS.	DATE	USE	NO.PTS.	DATE	USE

DRAWN BY: RN
 CHECKED BY: NR
 DATE: 11/30/2015 DATE: 12/22/2015

CONNECTIONS
 3/4" A325N
 UNLESS NOTED

HOLE SIZE 13/16" U.N.
 BOLT SIZE 3/4" U.N.
 UNLESS NOTED

CLEANING SSSP-SP3
 UNLESS NOTED

SHOP PAINT KEM KROMIK PRIMER
 UNLESS NOTED

NO.	DATE	BY	REVISIONS
0	01/06/2016	RN	For Fabrication

PROJECT: LOCATION: ENGINEER:
 CUSTOMER: