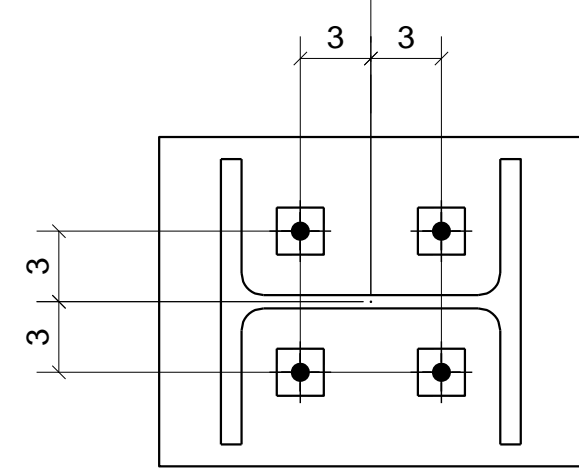
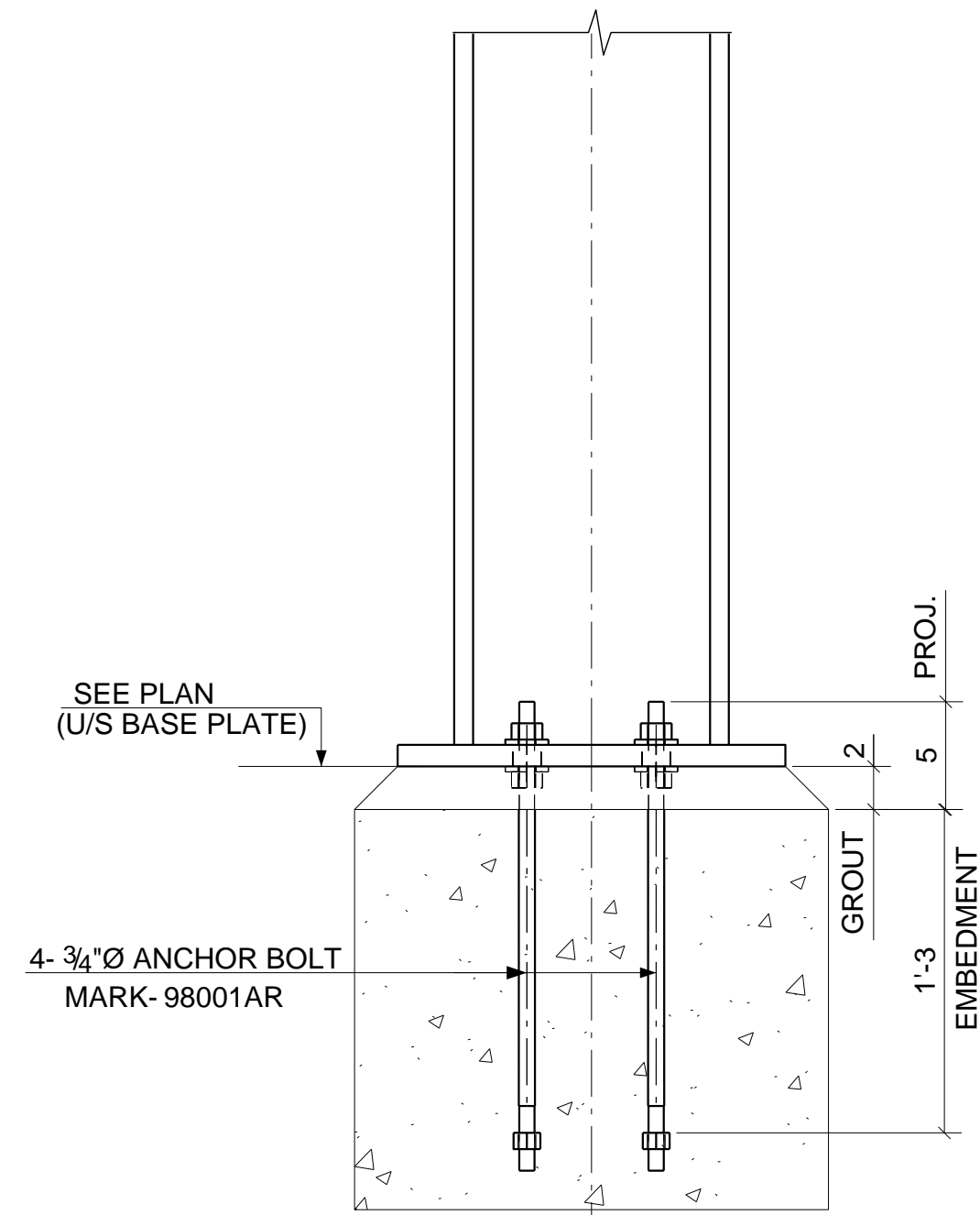
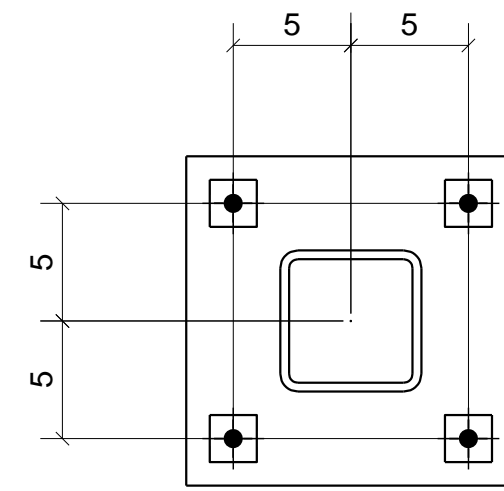
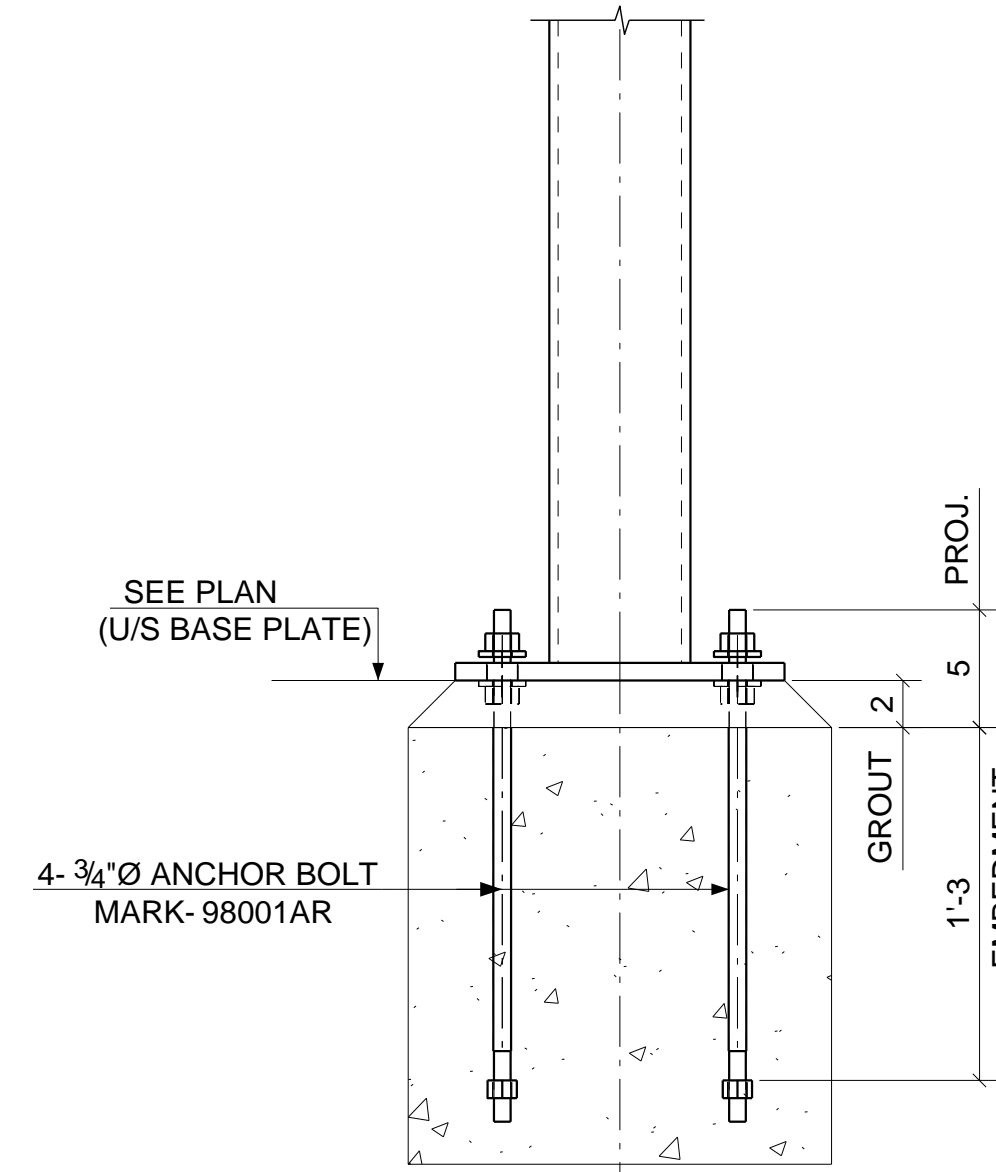


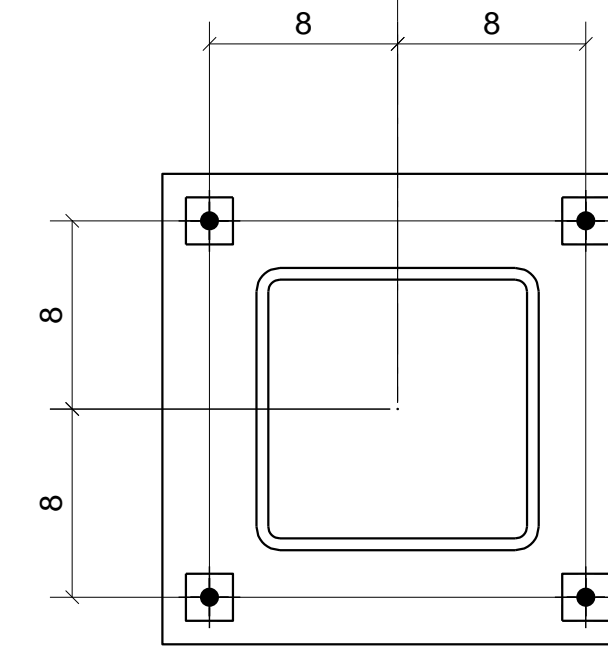
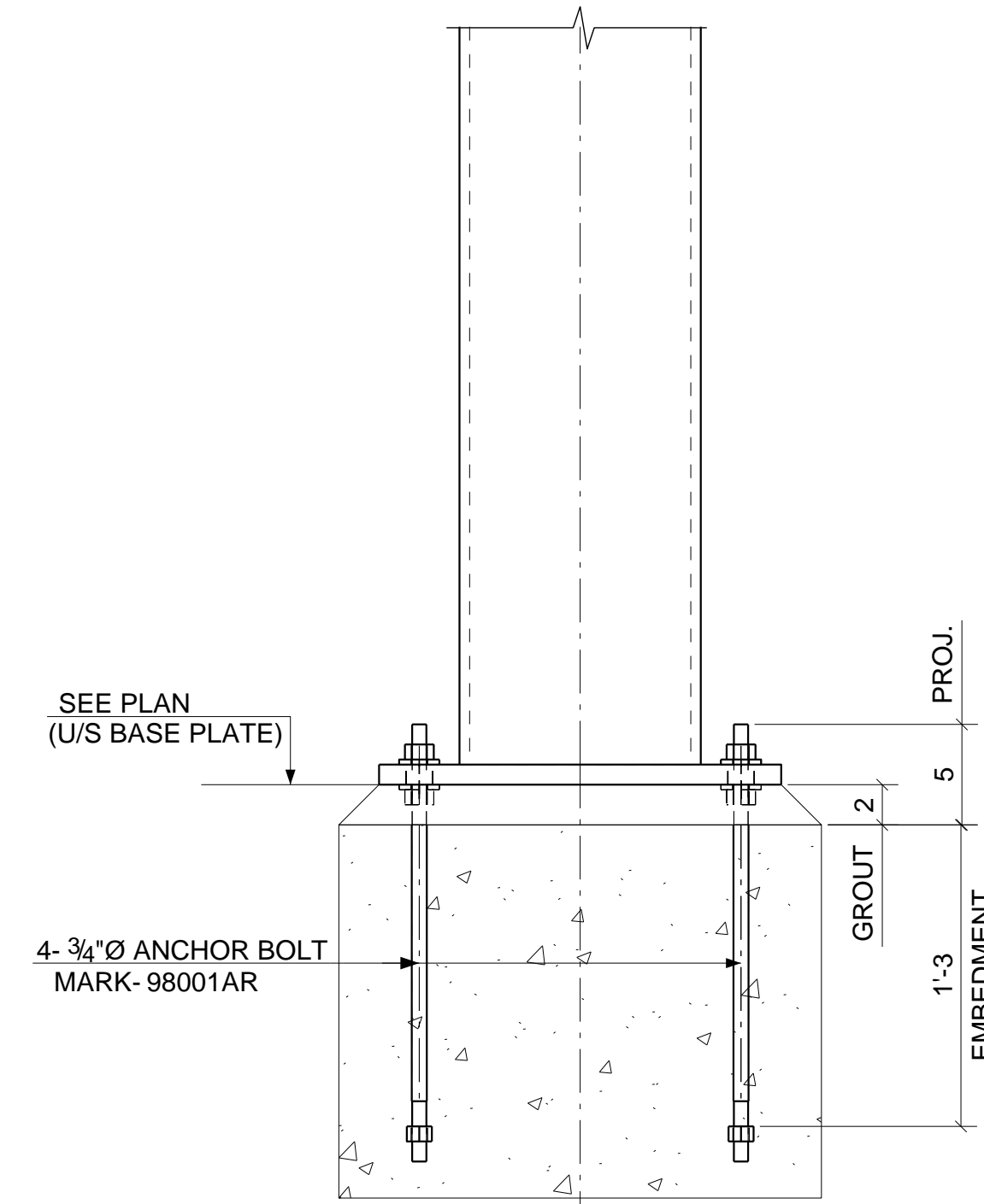
DETAIL-A
(6 LOCATIONS)



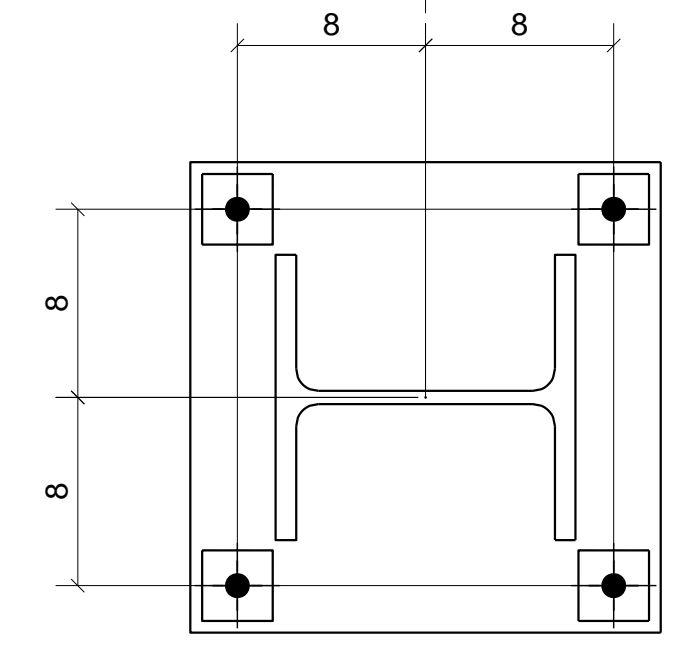
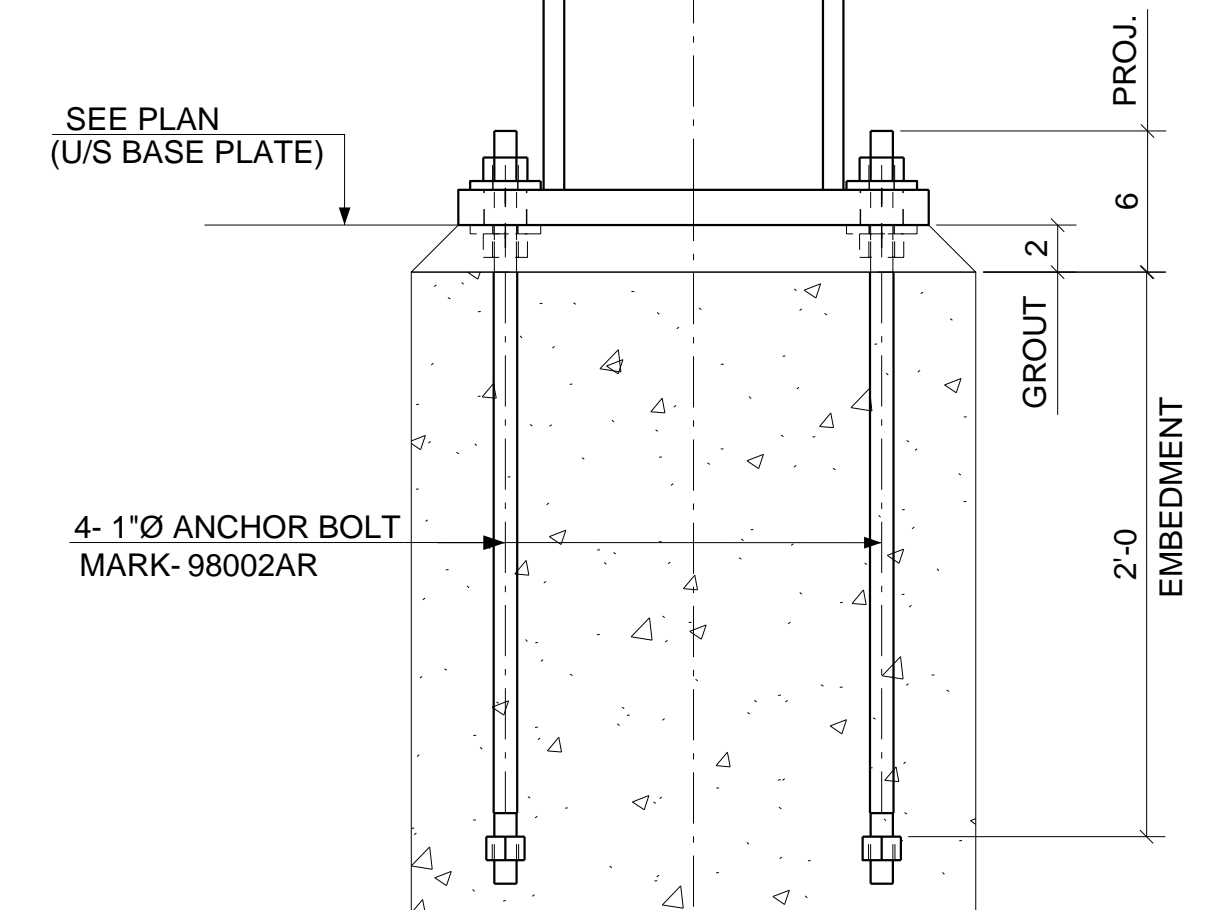
DETAIL-B
(63 LOCATIONS)



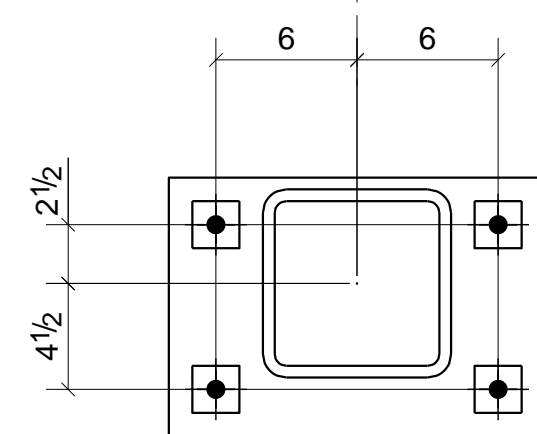
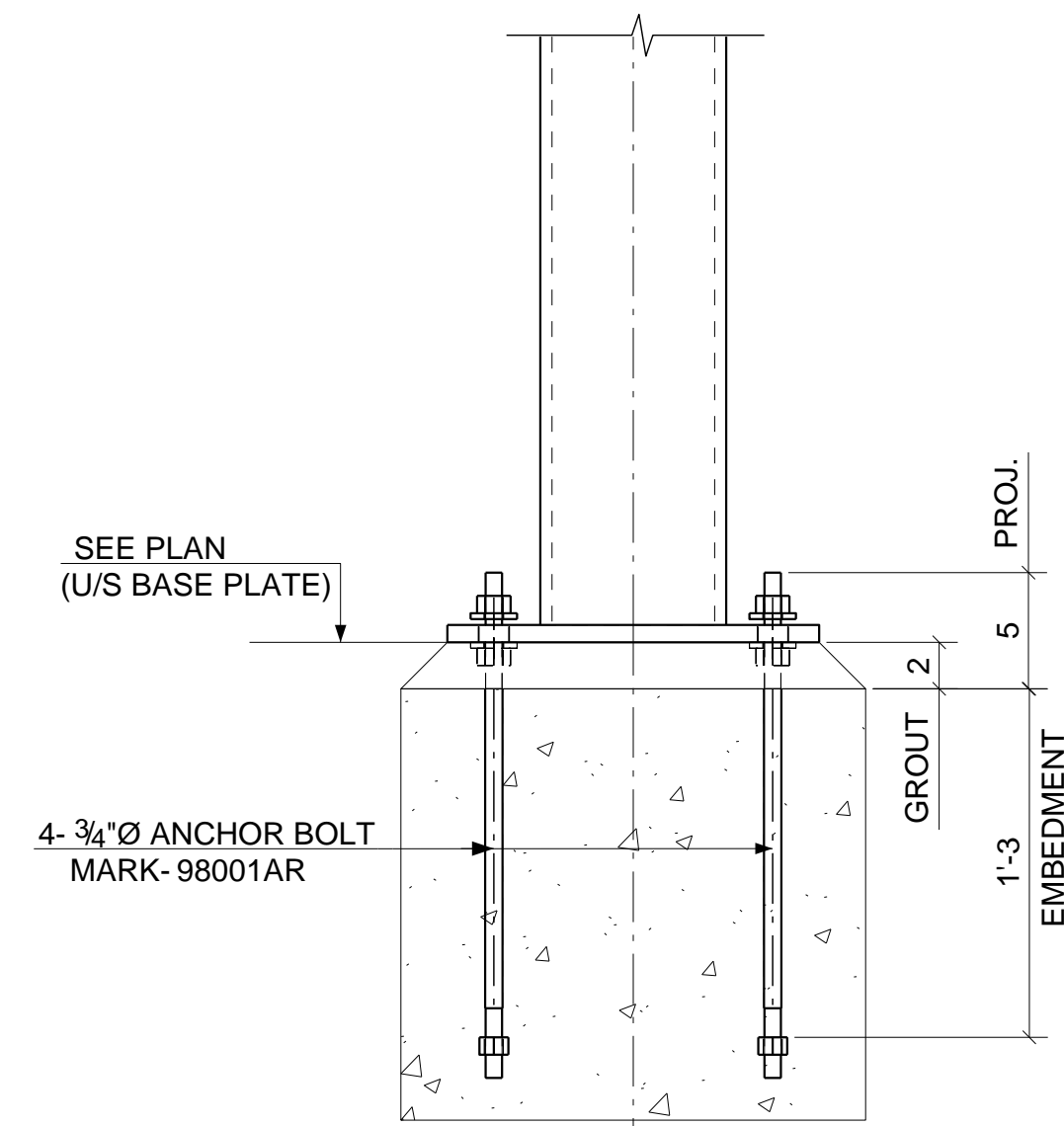
DETAIL-C
(11 LOCATIONS)



DETAIL-D
(3 LOCATIONS)




DETAIL-E
(22 LOCATIONS)



DETAIL-F
(4 LOCATIONS)

NOTE:
THIS DRAWING IS TO BE READ WITH
CONJUNCTION TO DWG. AB1 THRU AB5

							
				Certified Member			
				Project SAGANING EAGLES LANDING CASINO			
				Location 2690 WORTH ROAD STANDISH, MI 4			
				Architect JCJ ARCHITECTURE			
				Purchaser SPENCE BROTHERS			
				Title ANCHOR BOLT SETTING DETAILS			
				NO FIELD MODIFICATIONS ARE TO BE MADE WITHOUT PRIOR APPROVAL OF THE FABRICATOR. TO ORIENT PIECES CORRECTLY, PLACE END BEARING PRICE MARK IN SAME POSITION AS ON ERECTION PLAN. FIELD SUPERVISION IS THE SOLE RESPONSIBILITY OF THE OWNER AND CONTRACTOR.			
0	11/09/2017	PR	For Field Use	Design/Dept.:	Drawn By:	Check By:	Job No.:
A	10/20/2017	PR	For Approval	S-503	10/16/2017	11/09/2017	
REV	DATE #	BY	REVISION				
							AB6